

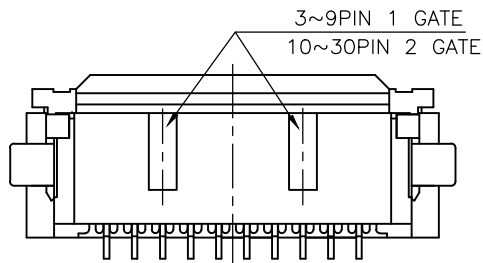
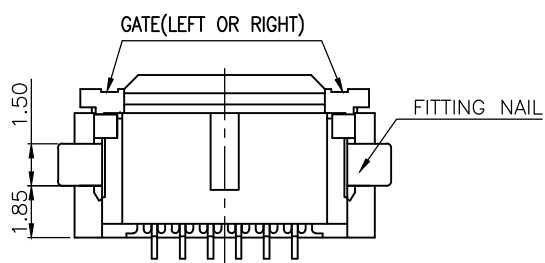
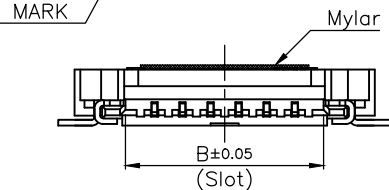
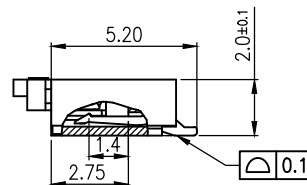
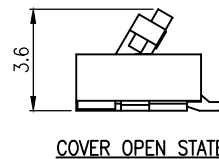
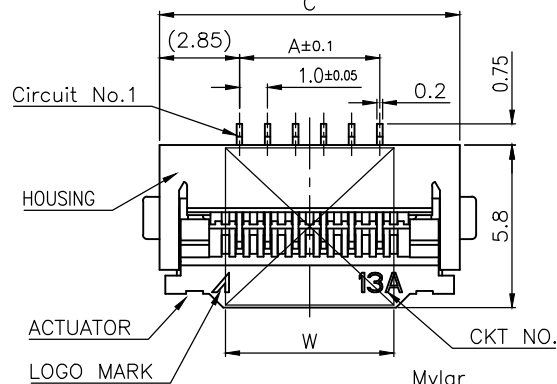
- NOTES:
- MATERIAL:
    - HOUSING: THERMOPLASTIC, HIGH TEMP., UL94V-0; COLOR:BLACK.
    - ACTUATOR: THERMOPLASTIC, HIGH TEMP., UL94V-0; COLOR:BLACK OR WHITE.
    - CONTACT: COPPER ALLOY
    - FITTING NAIL: COPPER ALLOY
  - FINISH:
    - CONTACT:
      - 50~100 $\mu$ m MIN. NICKEL UNDER PLATING  
GOLD FLASH PLATING
      - 50~100 $\mu$ m MIN. NICKEL UNDER PLATING  
100~200 $\mu$ m MIN. MATT TIN PLATING
    - FITTING NAIL:
      - 50~100 $\mu$ m MIN. NICKEL UNDER PLATING  
100~200 $\mu$ m MIN. MATT TIN PLATING
  - REFLOW SOLDER CAPABLE TO 260°C PER ACES SPEC.
  - SPEC. PLS. REFER TO PS-50501-XXXX-XXX
  - PACKAGE PLS. REFER TO 50504-XXXX-TRP
  - PART NUMBER

51524-XXX X X-XXX

XXX	Housing Color	Actuator Color	Halogen Free
001	Black	White	HF
002	Black	Black	HF

NO OF CKT  
PACKING  
0: TAPE & REEL  
4: TAPE & REEL WITH MYLAR

PLATING  
1: GOLD FLASH PLATING  
N: MATT TIN



CKT	Dim A	Dim B	Dim C	M/s(W)	CKT	Dim A	Dim B	Dim C	M/s(W)
4	3.00	5.06	8.7	6.0	17	16.00	18.06	21.7	10.0
5	4.00	6.06	9.7		18	17.00	19.06	22.7	
6	5.00	7.06	10.7		19	18.00	20.06	23.7	
7	6.00	8.06	11.7		20	19.00	21.06	24.7	
8	7.00	9.06	12.7		21	20.00	22.06	25.7	
9	8.00	10.06	13.7		22	21.00	23.06	26.7	
10	9.00	11.06	14.7		23	22.00	24.06	27.7	
11	10.00	12.06	15.7		24	23.00	25.06	28.7	
12	11.00	13.06	16.7		25	24.00	26.06	29.7	
13	12.00	14.06	17.7		26	25.00	27.06	30.7	
14	13.00	15.06	18.7	27	26.00	28.06	31.7		
15	14.00	16.06	19.7	28	27.00	29.06	32.7		
16	15.00	17.06	20.7	29	28.00	30.06	33.7		
					30	29.00	31.06	34.7	15.0

QUALITY SYMBOLS MAJOR CRITICAL	DRAWN BY Huang, Shun Sen 18/09/28	DATE 18/09/28	<b>ACES</b> ELECTRONICS
GENERAL TOLERANCES (UNLESS SPECIFIED) X ±0.5 .X ±0.25 .XX ±0.15 .XXX ±0.1 ANGLES ±2°	CHECKED BY Lu, Jing Quan 18/09/28	DATE 18/09/28	
	APPROVED BY hsieh, fu yu 18/09/28	DATE 18/09/28	
	UNITS mm		SIZE A4
	SCALE 4:1	SHEET NO. 1 OF 1	DWG NO. 51524-XXXX-XXX
			REV B
			PART NO. SEE NOTES